

## 23000 series

Bearing Number	Dimensions (mm)			Dynamic Load Rating (lbf)	Static Load Rating (lbf)	Weight (lbs)
	d	D	B			
23022	110	170	45	64292	107454	8.7
23024	120	180	46	67215	116221	9.6
23026	130	200	52	84749	147019	13.6
23028	140	210	53	96214	165677	15.1
23030	150	225	56	104981	182537	18.2
23032	160	240	60	121167	212211	22.4
23034	170	260	67	136903	249528	29.5
23036	180	280	74	159608	289992	38.7
23038	190	290	75	165452	307976	41.4
23040	200	310	82	200072	375416	53.0
23120	100	165	52	66765	110826	10.1
23122	110	180	56	77780	132856	12.7
23124	120	200	62	100485	170848	18.3
23128	140	225	68	126112	209963	23.8
23136	180	300	96	224800	404640	62.5
23140	200	340	112	278752	505800	96.1
23144	220	370	120	323712	606960	120.6
23220	100	180	60.3	106784	134885	15.3
23222	110	200	69.8	134885	171979	21.7
23224	120	215	76	156242	209072	26.9
23226	130	230	80	175351	238298	33.1

C - Symmetrical Roller, Stamped Steel Retainer

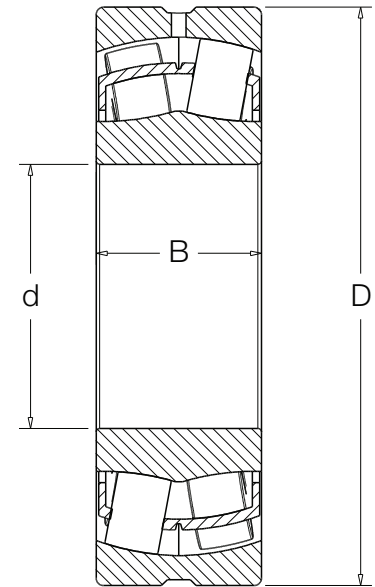
CA - Symmetrical Roller, One-Piece Bronze Retainer

MB - Symmetrical Roller, Two-Piece Bronze Retainer

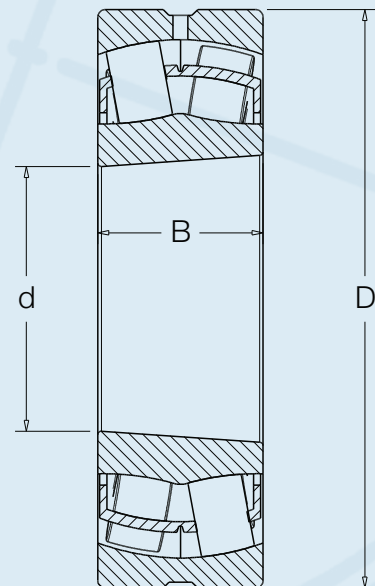
W33 - A lubricating groove and three lubricating holes on the outer race

K - 1:12 Tapered Bore

C3 - Larger than nominal clearance



**STRAIGHT BORE**



**TAPERED BORE**